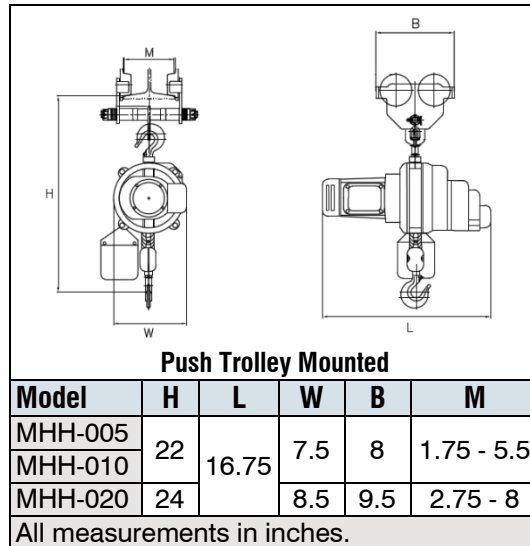
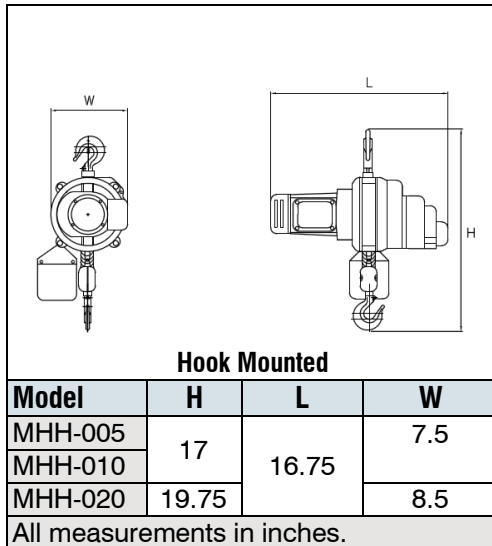


DIMENSIONS & SPECIFICATIONS: MODEL MH

Dimensions



Specifications

Model	MH-005	MH-010	MH-020
Capacity (Ton)	1/4	1/2	1
Standard Lift (Ft)	10	10	10
Control Cable (Ft)	10	10	10
Operation Voltage (Single)	115V	115V	115V
Cycle (HZ)	60	60	60
Motor Power (HP) / Motor Amperage Full Load	1.8/16.5	1.8/16.5	1.8/16.9
Lifting Speed (FPM)	16	16	8
Duty-Rate (ED %)	30%	30%	30%
NO. of Starts Per Hour	300	300	300
International Protection (IP) / (NEMA) *	IP 54 / NEMA 4	IP 54 / NEMA 4	IP 54 / NEMA 4
Insulation Class	F	F	F
Gross Weight (lb)	53	53	62